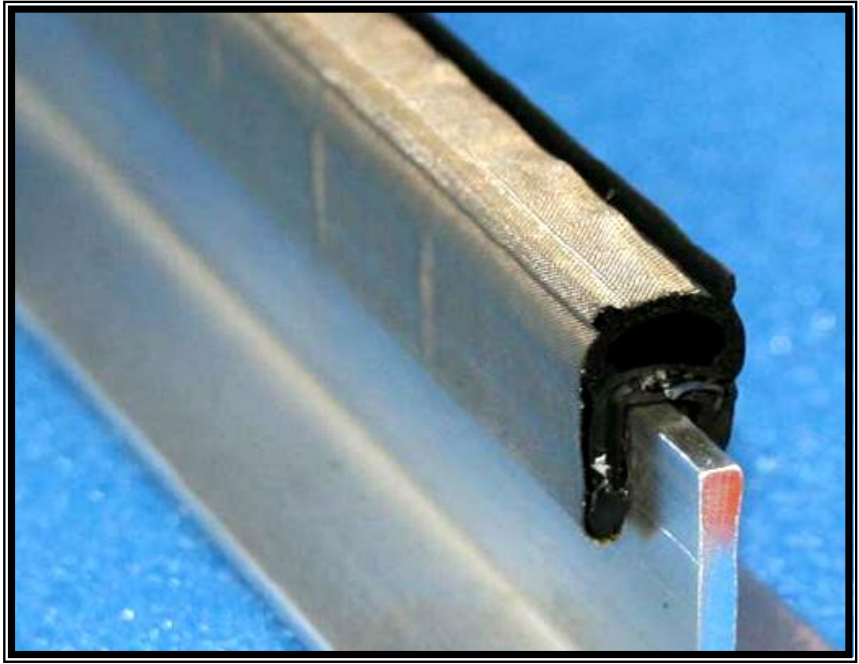
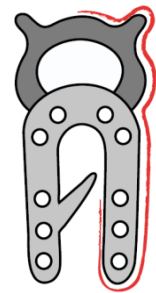
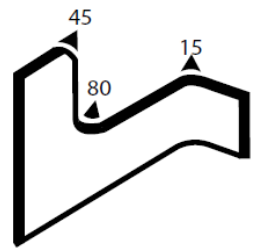
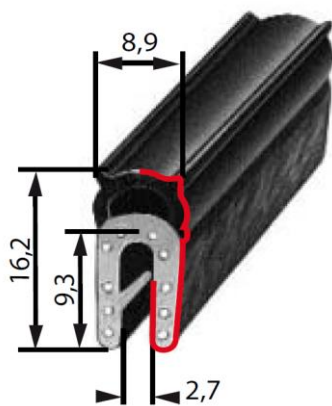


Type W (Clip-on shielding gasket with water seal):



The type W clip-on gasket series has been specially designed to provide environmental (water) sealing as well as EMI shielding for outdoor electronics and telecom cabinet manufacturers. The conductive textile is half wrapped around the gasket, dividing the gasket in two parts, a part for electrical conductance / EMI shielding (made of highly conductive textile), and a part for water sealing. The half wrapped conductive textile provides over 96 dB of broadband noise attenuation that is crucial for mid to high range shielding applications

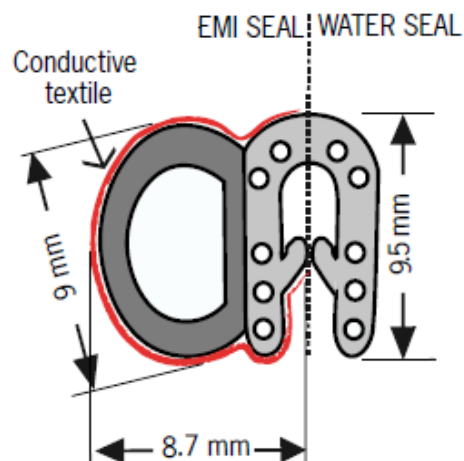
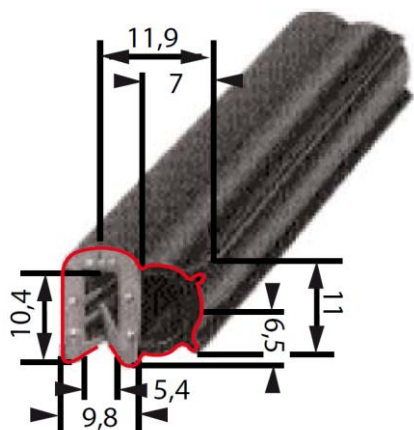
Top Bulb Gasket:



Part No: K_6566
Clamping Range: 0.5 to 2 mm
Material: EPDM 60 ±5 shore A

Type: Half covered

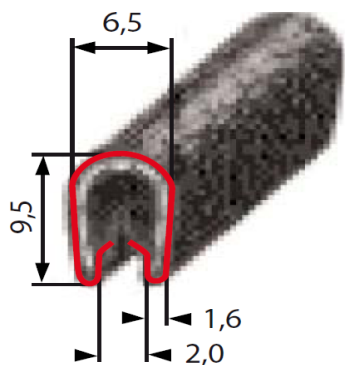
Side Bulb Gasket:



Part No: K_6562
 Clamping Range: 1 to 3 mm
 Material: EPDM 60 ±5 shore A

Part No: K_6595
 Clamping Range: 0.5 to 2 mm
 Material: EPDM 60 ±5 shore A

Edge protection:



Part No: K_6502
 Clamping Range: 1 to 2 mm
 Material: PVC

Shielding Performance

Frequency Hz	Mode	Screening dB
1M	E	121
10M	E	110
100M	E	103
400M	E	98
1G	P	93
10 G	P	90
See Guarantee		

Shielding effectiveness depends on surface, shape of gaskets and material used.